

Slamlock™ Electrical

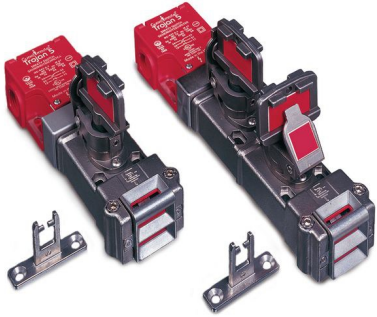
Description

The Prosafe Slamlock with electrical isolation combines the features of trapped key tongue actuated interlocks while also providing sets of electrical safety and auxiliary contacts. When the actuator is inserted into the lock and the key is removed the actuator is trapped in the unit thus locking closed the guard door. In this state the safety contacts are closed and the auxiliary contacts are open. To open the guard door the key must be inserted and rotated 90°, opening the safety contacts, closing the auxiliary contacts and enabling the actuator to be released thus unlocking the guard door. While the guard door is open the key is trapped in the unit.

Slamlocks with electrical isolation offer the features of electrical safety interlock switches with the benefits of a trapped key/enforced sequence systems. They allow a combination of both approaches for safeguarding machinery and processes to be used.

The Single-key Slamlock (SSS) is used to interlock hatches, guards and doors where full body access is not required. The single key locks the actuator and operates the switch in the same action.

Dual-key Slamlock (DSS) is similar to the single key version but has a secondary key to allow "two key in" or "key exchange" conditions. The key exchange version may be used where whole body access is required, as the secondary key can be used as a personnel key.



Single

Dual

Features

- Electrical safety contacts combined with trapped key/enforced sequence feature
- Most of unit constructed from 316L stainless steel
- Selection of actuator types available
- Single or dual key versions available
- Direct drive operation
- Replaceable code barrel assembly
- Weatherproof stainless steel dust cap as standard
- Solenoid versions

The Prosafe Advantage



Stainless steel construction.

Safety Ratings

Standards	EN1088, IEC/EN60947-5-1, GS-ET-19, ISO12100-1&2, ISO14119, AS4024.1			
Category	Cat. 1 per EN 954-1 (ISO 13849-1) Suitable for Cat. 2, 3, or 4 systems			
Certifications	CE Marked for all applicable directives and BG; C-Tick not required			
Outputs				
Safety Contacts	2 N.C. positive break			
Switching Current @ Voltage, Max.	500V/500V A			
Thermal Current (Ith)	10 A			
Current, Min.	5 mA @ 5V DC			
Safety Contact Gap	>2 x 2 mm (0.07 in.)			
Rated Insulation Voltage	(Ui) 500V			
Rated Impulse withstand Voltage	(Uimp) 2500V			
Auxiliary Contacts	1 N.O.			
Operating Characteristics				
Break Contact Force, Min.	12 N (2.7 lbs)			
Actuation Speed, Max.	1 ms			
Actuation Frequency, Max.	2 cycle/s			
Utilization Category				
AC 15	(Ue)	500V	250V	100V
	(Ie)	1 A	2 A	5 A
DC		250V	0.5 A, 24V	2 A
Environmental Characteristics				
Enclosure Type Rating	IP67			
Operating Temperature [C (F)]	Electrical: -20...+80 ° (-4...+176 °) Solenoid: -20...+60 ° (-4...+140 °)			
Relative Humidity	95%			
Physical Characteristics				
Actuator Travel for Positive Opening	5 mm (0.19 in.)			
Operating Radius, Min.	175 mm (6.88 in.) [60 mm (2.36 in.) with flexible actuator]			
Actuator Holding Force, Max.	2000 N (450 lbs)			
Releasable Load, Max.	100 N (22.5 lbs)			
Case Material	UL Approved glass-filled polyester & 316L stainless steel			
Actuator Material	Stainless steel			
Conduit Entry	3 x M20			
Mounting	SSS: 4 x M5 counterbored from top or 4 x M5 from underside with nuts DSS: 6 x M5 counterbored from top or 6 x M5 from underside with nuts			
Mechanical Life	100,000 operations			
Electrical Life	1,000,000 operations			
Weight [g (lb)]	SSE: 1160 (2.6) DSSE: 1700 (3.7)			
Color	Red/Stainless			
Shear Force to Key	15.1 k•N (3398 lb), max.			
Pollution Degree	3			
Torque to Key	14 N•m (124 lb•in), max.			

Note: The safety contacts of the Guardmaster switches are described as normally closed (N.C.), i.e. with the guard closed, actuator in place (where relevant) and the machine able to be started.

Product Selection - Electrical

Contact Type	Type	Trapped Key Condition	Actuator Type	Cat. No.
2 N.C. + 1 N.O. Break before make	Single key	Key trapped to release actuator	Standard	440T-MSSSE10*
			Flexible	440T-MSSSE11*
			Flat	440T-MSSSE12*
		Key free to release actuator	Standard	440T-MSSSE20*
			Flexible	440T-MSSSE22*
			Flat	440T-MSSSE23*
	Dual key	Primary key trapped, secondary key free to release actuator	Standard	440T-MDSSE10* ⊗
			Standard	440T-MDSSJ10* ⊗
		Primary key trapped, secondary key eject to release actuator	Flexible	440T-MDSSE11* ⊗
			Standard	440T-MDSSJ11* ⊗
		Primary key trapped, secondary key free to release actuator	Flat	440T-MDSSE12* ⊗
			Standard	440T-MDSSJ12* ⊗
Both keys trapped to release actuator	Standard	440T-MDSSE20* *		
	Flexible	440T-MDSSE22* *		
	Flat	440T-MDSSE23* *		
2 N.C. + 2 N.O. Break before make	Single key	Key free to release actuator	Standard	440T-MSSSE26*
			Flexible	440T-MSSSE27*
			Flat	440T-MSSSE25*

* Substitute the desired primary code for this symbol (key not included). See **Key Coding** for code selection.

⊗ Substitute the desired secondary code for this symbol (key included). See **Key Coding** for code selection.

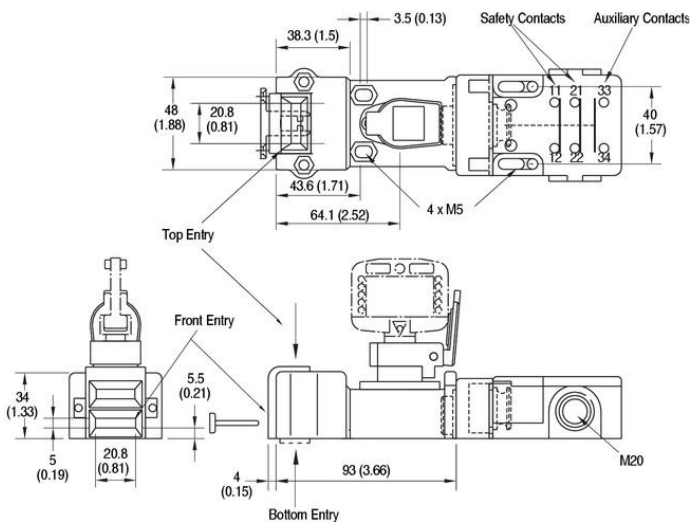
Product Selection - Solenoid

Contact Type	Type	Trapped Key Condition	Solenoid Voltage	Actuator Type	Cat. No.
2 N.C. & 1 N.O. Break before make	Single key	Key free to release actuator	24V DC	Standard	440T-MSSUE20*
				Flexible	440T-MSSUE22*
				Flat	440T-MSSUE23*
	Dual key	Primary key trapped, secondary key free to release actuator	24V DC	Standard	440T-MDSUE10*
				Flexible	440T-MDSUE11*
				Flat	440T-MDSUE12*
Single key	Key free to release actuator	110V AC	Standard	440T-MSSUE50*	

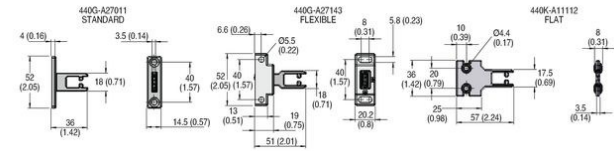
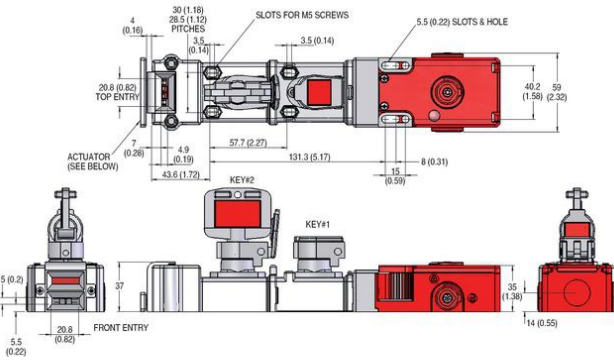
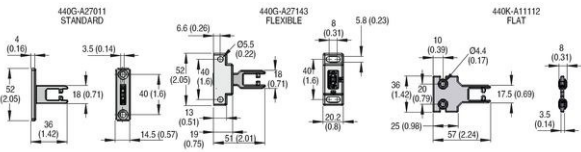
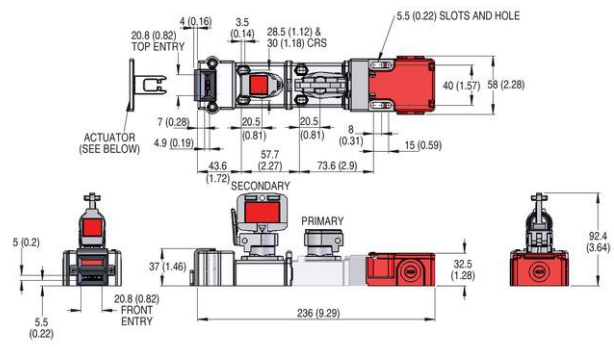
* Substitute the desired primary code for this symbol (key not included). See **Key Coding** for code selection.


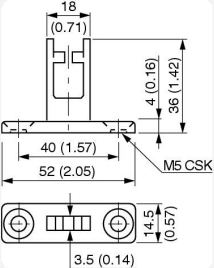

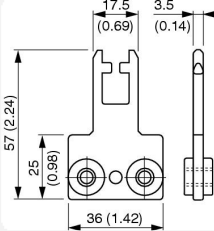

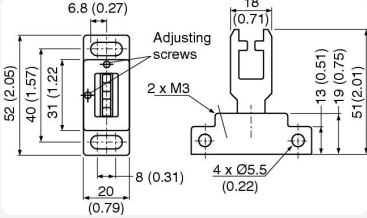



Dimensions are shown in mm (in.). Dimensions are not intended to be used for installation purposes.

Single Key Slamlock



Dual Key Slamlock



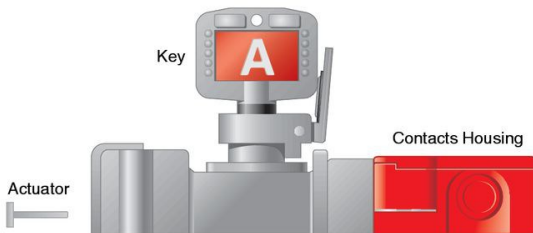
Description		Approximate Dimensions [mm (in.)]	Cat. No.
	GD2 standard actuator		440G-A27011
	GD2 flat actuator		440K-A11112
	Fully flexible actuator		440G-A27143
	Stainless steel key	Product Selection	440T-AKEYE10 [⊗]
	Stainless steel replacement code barrel with dust cap		440T-ASCBE14*
	Stainless steel weatherproof replacement dust cap		440T-ASFC10 [⊗]

* Substitute the desired primary code for this symbol (key not included). See **Key Coding** for code selection.

⊗ Substitute the desired code for this symbol. See **Key Coding** for code selection.

Typical Applications

Actuator out, key trapped, safety contacts open, auxiliary contact closed.



Locking force = 2000 N (450 lb)